

HGV tyre changer

Item No.: TWX-80T



Description

Our largest electro-hydraulic tyre mounting machine can be used for light and normal truck tyres as well as agricultural or construction machine tyres up to 2500 mm wheel diameter and 1200 mm wheel width.

Features

- 1A Quality built with CE-Certificate
- Manufactured in accordance to ISO 9001
- Solid construction
- Very easy handling by using control unit, joystick and foot pedals
- Self centering 4-jaw clamping system
- Electro hydraulic clamping system
- Clamping jaws made of special steel
- Electrohydraulic control unit with two speeds for faster work with mounting arm and clamping device
- Mounting arm can be rotated and extended on the slide as well as hydraulically raised, lowered and moved
- Safe clamping of the rim
- Powerful 2-speed electric motor for normal and reverse operation with 4 & 8 rpm
- High-quality control device for gentle control
- Powerful drive motor with 2 x 3 kW power

Delivery contents

- HGV tyre changing machine
- Maintenance unit / Joystick
- Jaw clamp extension
- Air filler | Lifting lever, Bead press
- Operating instructions | CE-Certificate
- [Assembly video online](#) | [Product video online](#)



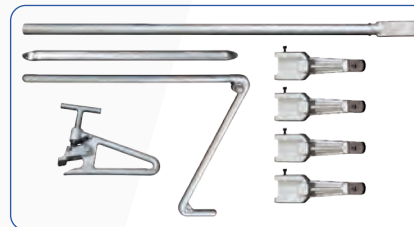
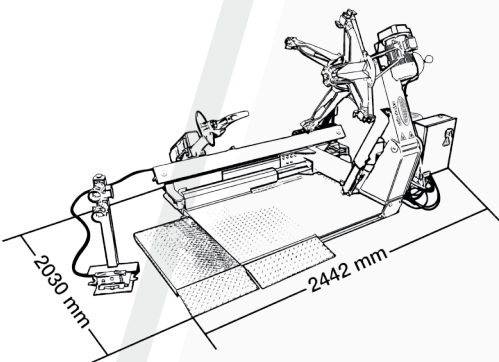
Videos



Dimensions

Delivery contents

Technical data



Clamping range outside	14" - 56"
Wheel diameter (max.)	2500 mm
Wheel width (max.)	1200 mm
Wheel weight (max.)	2200 kg
Power supply	400 V / 3 Phase
Motor power	2 x 3 kW
Weight (approx.)	1060 kg

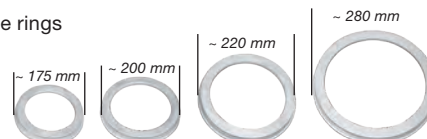
Optional accessory

Aluminium clamping claws for HGV Tyre changer
Item No.: TWX00T-KSCH

4 pieces in the set



A set of 4 different protective rings
for truck tyre changers
Item No.: TWX00T-R
4 pieces in the set



Further accessories can be found at www.twinbusch.co.uk