

Wheel balancer

Item No.: TWF-96 / TWF-96-G



Description

Automatic tyre balancer. For professional work with automatic pneumatic wheel clamping, laser position system and LED light. Equipped with TFT colour screen and 2 electric sensor arms for rim distance, rim width and rim diameter as well as automatic recognition of the balancing programmes (Normal and Alu-S). Fast and comfortable work due to pneumatic wheel clamping. The TWF-96 has a laser position system for precise application of adhesive weights at 6 o'clock position (also possible at 12 o'clock position without laser). Furthermore, there is an LED light for better visibility. The TWF-96 has a 40 mm shaft and an extended wheel holder for better balancing of wide tyres, e.g. Porsche, SUV, etc. Furthermore, the machine has a foot brake to fix the shaft during wheel clamping or unbalance correction. Help functions are shown on the display. Touch arm with optical/acoustic operator guidance.

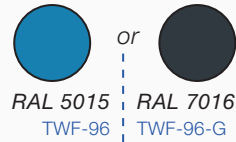
Features

- 1A Quality built with CE-Certificate | Manufactured in accordance to ISO 9001
- Laser positioning system at 6 o'clock position
- LED light for better visibility
- Splitting programme enables the precise placement of hidden weights, behind the spokes | Measuring arm for accurate rim data
- Foot brake to fix the shaft when working | Static and dynamic balancing
- Large TFT-Colour monitor | 40 mm shaft for precise balancing
- 255 mm long shaft for wide wheels | Electronic sensor arm
- Automatic measurement and wheel brake
- Several available programs Normal / Static / Alu1, Alu2, Alu3 Motorcycle etc.
- Integrated calibration and self-diagnostic program
- Menu Languages: German, English, Spanish, French, Portugese, Dutch, Italian, Swedish, Hungarian and Polish

Delivery contents

- Wheel balancer TWF-96
- Centering cones (4 pcs.), gauge and weight calipers
- Quick-release nut, Pressure cup, Rubber lip, Calibration weight
- English instruction manual and CE-Certificate
- **Assembly video online | Product video online**

Choice of colour:



Please consult our technical decision-maker (on page 49) before purchasing your wheel balancer (s)!

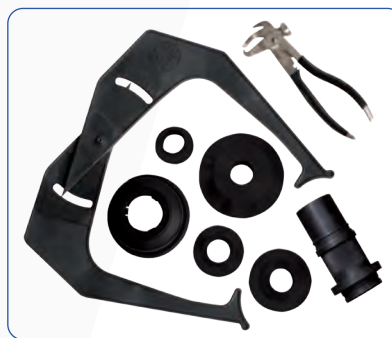
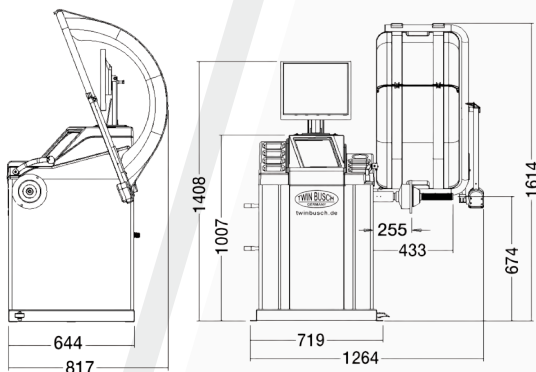
Videos



Dimensions

Delivery contents

Technical data



Wheel width	1,5" - 20"
Wheel diameter	10" - 24"
Wheel weight max.	65 kg
Wheel center hole	40-135 mm
Measuring tolerance	+/- 1 g
Measuring time (approx.)	4-7 sec.
Power supply	230 V~
Fusing	16 A / type C
Noise level	< 70 dB
Weight (approx.)	140 kg

Optional accessory

Light truck and transporter adapter
Item No.: TWF-TRANS36



Self adhesive balance weights
Item No.: TWF-KG



Further accessories can be found at www.twinbusch.co.uk