

# Low rise scissor lift

Item No.: TWS3-10E /-G / TWS3-10E-FZ

**kg 3000 kg** 1,00 m 230 V or 400 V Autom.

## Description

Low rise scissor lift.  
1000 mm lifting height. Ideal for tyre service, painting and body work. With electromagnetic release.  
No compressed air supply is required. The platform can be lengthened by locking the drive on ramps.  
A very practical mobile kit is available as an option.

## Features

- 1A Quality built with CE-Certificate
- Manufactured in accordance to ISO 9001
- Mechanical synchronization control of both lifting platforms for perfect synchronism
- Low drive over height (110 mm)
- **FAILSAFE safety lock system (monitoring of the detent position)**
- **Double line system for symmetrical distribution of the system pressure**
- High quality solid construction
- Emergency lowering function in case of power failure
- **Direct actuation by two powerful hydraulic cylinders**
- Automatic safety lock
- Foot protection
- Acoustic warning signal (foot protection)
- High quality powder coating

## Delivery contents

- Lift incl. Power unit | Rubber blocks
- English instruction manual
- Examination book | CE-Certificate
- **Assembly video online**
- **Product video online**



Item No.: TWS3-10E



**Electromagnetic safety release (no compressed air required)**

Thus, extremely flexible, since only corresponding power connection is required!



— Available in the following versions



Item No.: TWS3-10E-G

**Anthracite!**



Item No.: TWS3-10E-FZ

**Galvanized!**

## Videos

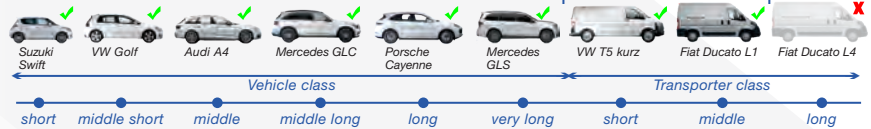


Product video

Assembly video



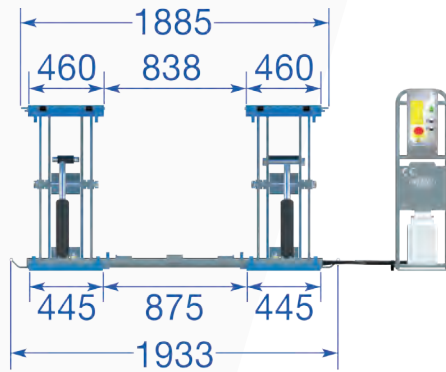
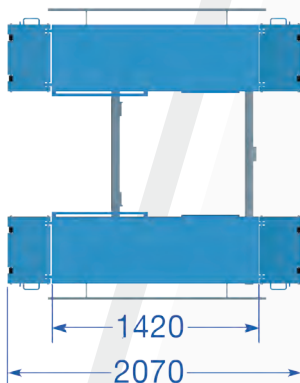
## Vehicle type / Wheelbase



\*Terms & Condition see page 37



## Dimensions



Further information to be found at [www.twinbusch.co.uk](http://www.twinbusch.co.uk)

## Technical Data

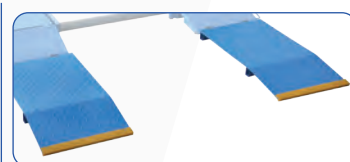
Lifting capacity	3000 kg
Lifting height max.	1000 mm + Rubber
Drive on height	110 mm
Lifting, lowering time (approx.)	20/20 sec.
Power supply	400 V or 230 V
Motor power	2,2 kW
Fusing	16 A / type C
Weight (approx.)	500 kg

\*\*Please note: The TWS3-10E-FZ is only available in 400-volt.

## Optional accessory



Mobile kit  
Item No.: TWS3-10-A  
The ideal accessory for your TWS3-10E



Drive on ramps  
Item No.: TWS3-10-R  
4 pieces in the set  
Perfect for sport cars

## Available in the following versions

or or   
RAL 5015 TWS3-10-R or RAL 7016 TWS3-10-R-G or Galvanized TWS3-10-R-FZ

Further accessories can be found at [www.twinbusch.co.uk](http://www.twinbusch.co.uk)