



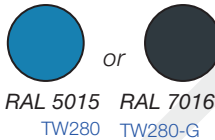
# Heavy-Line 2-Post-Lift

## Item No.: TW280 / TW280-G

**kg** 8000 kg **↑** 1,90 m **⚡** 400 V **⚙️** Autom.



### Choice of colour:



Note try our technical decision helper (on page 5) before buying your 2-post lift(s)!

### Included

Transporter adapters (4 pcs.)



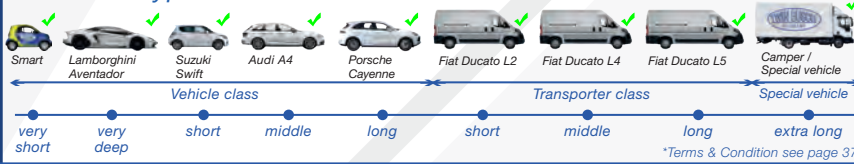
Bracket for extension adapter (2 pcs.)



### Videos



### Vehicle type / Wheelbase



### Description

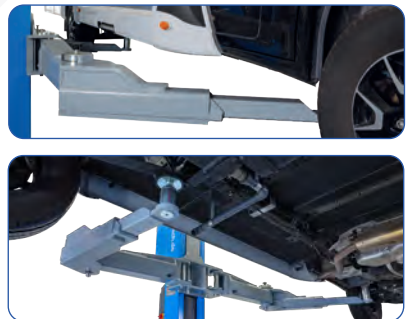
With a lifting capacity of 8.0 tonnes and symmetrically telescoping double-jointed support arms in M-support arm design, the TW280 is our most powerful machine in the 2-post range. Thanks to its extremely large adjustment range, everything from small cars to vans, even with a long wheelbase (e.g. MB Sprinter, motorhomes, special vehicles) can be lifted with ease. With two operating units (one per column) and two independent hydraulic units, the TW280 offers a particularly high level of operating convenience and can be easily adapted to the requirements of the workshop in terms of installation width (4132 mm or less). As an outstanding highlight, the individual lifting columns communicate with each other completely wirelessly via a secure radio link. They are conveniently controlled via operating units on both columns with monitoring and display of the lifting height in real time. There is also a practical plug-in adapter holder on the outside of each column, which provides space for the safe storage of two height adapters.

### Features

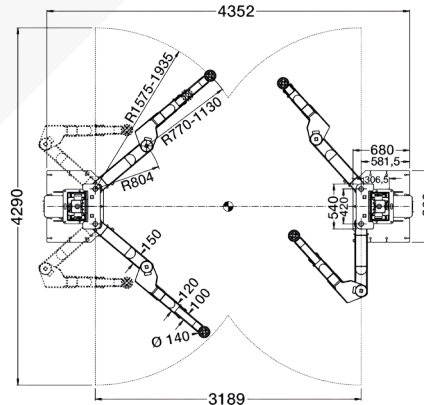
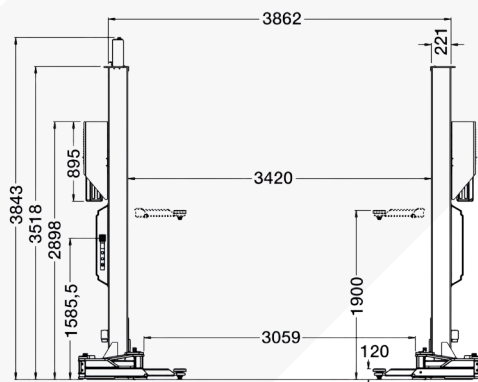
- 1A Quality built with CE-Certificate
- Manufactured in accordance to ISO 9001
- Protective cover in front of the pillars
- Lifting turntables with double thread and anti-rotation protection
- Automatic electromagnetic release of the safety catches
- Automatic support arm lock | High quality powder coating
- 2 hydraulic cylinders for powerful lifting and lowering
- Synchronisation control via a secure radio connection
- High-quality support columns made from special rolled profile
- Symmetrical telescopic double-jointed support arms (M support arms) | Emergency lowering function
- Practical height adapter holders (one holder on each side of the column) for two height adapters each
- Motor-Cover included (Stylish design, dust protection and noise reduction)

### Delivery contents

- Lift incl. Power unit and Motor-Cover
- Heavy duty anchor bolts (18 pcs.)
- Transporter adapters (4 pcs.) | Bracket for extension adapter
- English instruction manual | Examination book | CE-Certificate



### Dimensions



### Technical Data

Lifting capacity	8000 kg
Lifting height max.	1900 mm/Ad 2080
Lowest lifting point	120 mm
Lifting, lowering time (approx.)	60/50 sec.
Power supply	400 V / 3 Phase
Motor power	2x 2,2 kW
Fusing	16 A / type C
Weight (approx.)	1768 kg

Further information to be found at [www.twinbusch.co.uk](http://www.twinbusch.co.uk)

### Optional accessory



Hydraulic Oil  
Item No.: HLP32

- With wear protection
- 5 Liter High performance hydraulic oil

Further accessories can be found at [www.twinbusch.co.uk](http://www.twinbusch.co.uk)