



# Heavy-Line 2-Post-Lift

## Item No.: TW260

**kg 6000 kg** **1,90 m** **400 V** **Autom.**



Note try our technical decision helper (on page 5) before buying your 2-post lift(s)!

### Included

Transporter adapters (4 pcs.)



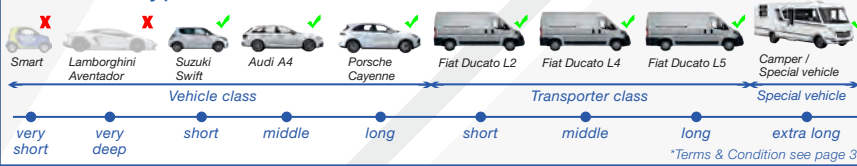
Bracket for extension adapter (2 pcs.)



### Videos



### Vehicle type / Wheelbase



### Description

This professional lift has a lifting capacity of 6.0 t and 3-stage telescopic lifting arms enabling you to lift anything from a small car to a transporter or a camper with a long wheelbase.

### Features

- 1A Quality built with CE-Certificate
- Manufactured in accordance to ISO 9001
- Column chain guard
- Automatic safety-lock-relase system
- Automatic arm-locking system
- 2 Hydraulic cylinders for powerful lifting and lowering
- Steel cable synchronization
- Special rolled section columns
- 3-stage telescopic lifting arms
- **Anti-Lift-Up-Button**, allows you to lower the lift without it having to rise before sinking plus a 230 V Euro-socket placed in the control box.
- **NEW: Motor-Cover included**
- Stylish design, dust protection and noise reduction
- **Optional air connection (Air-Kit) available**

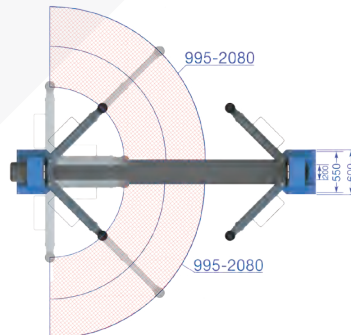
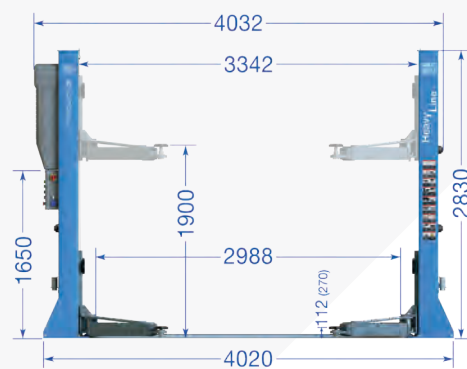
### Delivery contents

- Lift incl. Power unit and Motor-Cover
- Heavy duty anchor bolts (12 pcs.)
- Transporter adapters (4 pcs.)
- Bracket for extension adapter
- Rubber door protectors | English instruction manual
- Examination book and CE-Certificate
- **Product video online | Assembly video online**



### Dimensions

\*The height measurement is without plastic cover (cover is optional)



If space is a problem, the lift can also be constructed narrower than the specified total width!  
**How it works? Contact us!**

### Technical Data

Lifting capacity	6000 kg
Lifting height max.	1900 mm/Ad 2080
Lowest lifting point	112 mm
Lifting, lowering time (approx.)	45/30 sec.
Power supply	400 V / 3 Phase
Motor power	2,2 kW
Fusing	16 A / type C
Weight (approx.)	1020 kg

Further information to be found at [www.twinbusch.co.uk](http://www.twinbusch.co.uk)

### Optional accessory



Through experience the required concrete depth (foundation requirement of 250 mm) should be met, this must be checked by the customer. If in exceptional cases the foundation requirement is not met, we offer on page 19 a special solution, which can be used with a concrete thickness of 200 mm to 250 mm.

Wheel gripper (set of 4)  
Item No.: TW260RAD



LED lighting (LED-KIT) for 2-post lifts  
Item No.: TWLED-2



Further accessories can be found at [www.twinbusch.co.uk](http://www.twinbusch.co.uk)