

Basic-Line 2-Post-Lift

Item No.: TW242M / TW242M-G

4200 kg
 1,90 m
 230 V
 Semi-auto.

Description

The ideal starter model with a TOP price - performance ratio. Our starter model is now better than ever, with 4 height adjustable lifting pads and a very low drive-over (only 35 mm). With our Basic-line lift, it is possible to lift anything from a Smart to a small transporter. Manual release on one side only / single lock / one-hand release.

Features

- 1A Quality built with CE-Certificate
- Manufactured in accordance to ISO 9001
- **Manual release on one side only / single lock / one-hand release**
- High quality special profile supporting posts
- 2 Hydraulic cylinders for powerful lifting and lowering
- Automatic arm-locking system
- Steel cable synchronization
- Duel manual unlocking
- Telescopic lifting arms | Asymmetric lifting-arms
- Easy to use control unit (Safety rate to IP 54)
- Height-adjustable lifting pads

Delivery contents

- Lift incl. Power unit
- Heavy duty anchor bolts (10 pcs.)
- Rubber door protectors
- English instruction manual
- Examination book and CE-Certificate
- **Assembly video online**
- **Product video online**

Choice of colour:



or



Note try our technical decision helper (on page 5) before buying your 2-post lift(s)!

Videos

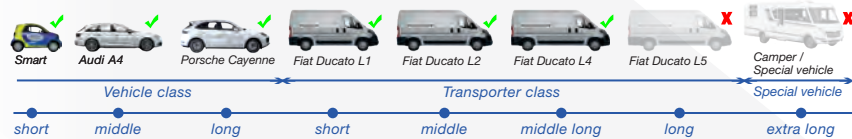


Product video



Assembly video

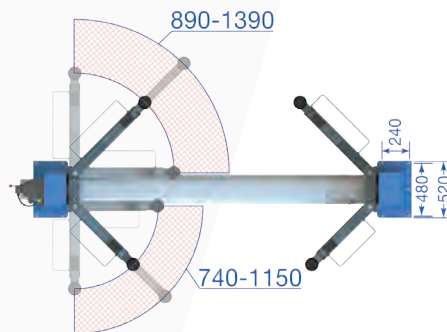
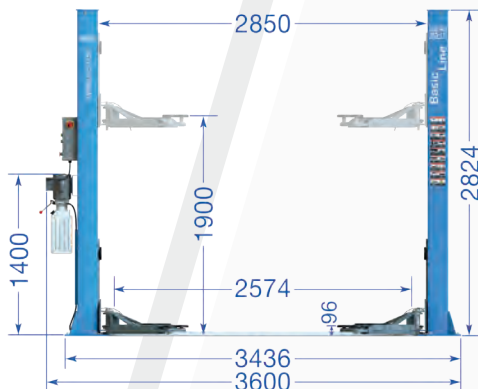
Vehicle type / Wheelbase



*Terms & Condition see page 37



Dimensions



If space is a problem, the lift can also be constructed narrower than the specified total width!
How it works? Contact us!

Technical data

Lifting capacity	4200 kg
Lifting height max.	1900 mm/Ad 2050
Lowest lifting point	96 mm
Lifting, lowering time (approx.)	45/30 sec.
Power supply	230 V
Motor power	2,2 kW
Fusing	16 A / type C
Weight (approx.)	600 kg

Further information to be found at www.twinbusch.co.uk

Optional accessory

Transporter adapters (4 pcs.)



Column chain guard

Item No.: TWSAK



Through experience the required concrete depth (foundation requirement of 200 mm) should be met, this must be checked by the customer. If in exceptional cases the foundation requirement is not met, we offer on page 19 a special solution, which can be used with a concrete thickness of 150 mm to 200 mm.



LED lighting (LED-KIT) for 2-post lifts (Item No.: TWLED-2)



Further accessories can be found at www.twinbusch.co.uk