

Basic-Line 2-Post-Lift

Item No.: TW242E / TW242E-G

kg 4200 kg **↑** 1,90 m **⚡** 230 V **⚙️** Autom.

Description

The Basic Line lift in electromagnetic version 4200 kg load capacity. With automatic unlockable safety latches, adjustable lifting pads, high-quality Powdercoating and flat bridge plate (only 35 mm). With the electromagnetic Basic Line you can lift everything from Smart to vans.

Features

- 1A Quality built with CE-Certificate
- Manufactured in accordance to ISO 9001
- Automatic safety-lock release
- Rotary lifting plates with thread protection
- Emergency lowering in case of power cut
- High quality special profile supporting posts
- 2 Hydraulic cylinders for powerful lifting and lowering
- Automatic arm-locking system
- Quality powder coating
- Steel cable synchronization
- Extra flat telescopic lifting arms for sport cars
- Asymmetric lifting-arms
- Easy to use control unit. (Safety rate to IP 54)

Delivery contents

- Lift incl. Power unit
- Heavy duty anchor bolts (10 pcs.)
- Rubber door protectors
- English instruction manual
- Examination book and CE-Certificate
- **Assembly video online | Product video online**

Choice of colour:



RAL 5015
TW242E

or



RAL 7016
TW242E-G



Note try our technical decision helper (on page 5) before buying your 2-post lift(s)!

Videos

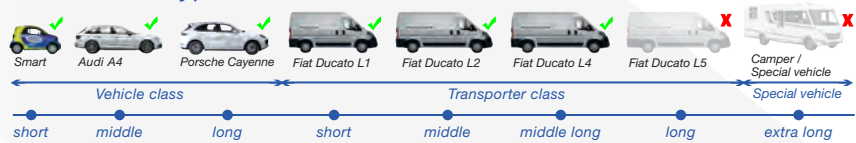


Product video

Assembly video



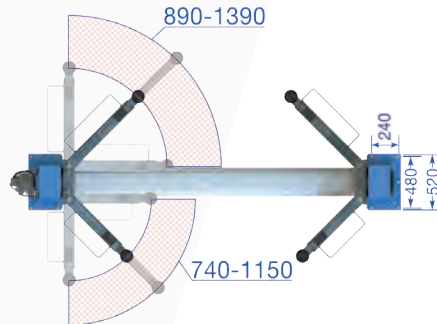
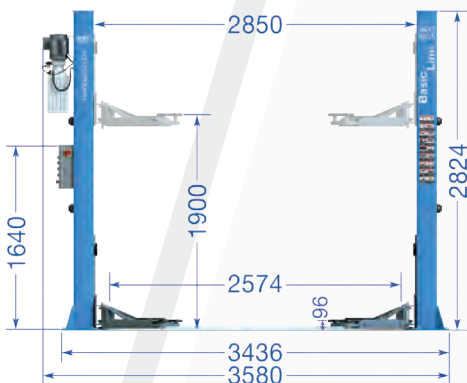
Vehicle type / Wheelbase



*Terms & Condition see page 37



Dimensions



If space is a problem, the lift can also be constructed narrower than the specified total width!
How it works? Contact us!

Technical data

Lifting capacity	4200 kg
Lifting height max.	1900 mm/Ad 2050
Lowest lifting point	96 mm
Lifting, lowering time (approx.)	45/30 sec.
Power supply	230 V
Motor power	2,2 kW
Fusing	16 A / type C
Weight (approx.)	600 kg

Further information to be found at www.twinbusch.co.uk

Optional accessory

Transporter adapters (4 pcs.)



Column chain guard
Item No.: TWSAK



Through experience the required concrete depth (foundation requirement of 200 mm) should be met, this must be checked by the customer. If in exceptional cases the foundation requirement is not met, we offer on page 19 a special solution, which can be used with a concrete thickness of 150 mm to 200 mm.



LED lighting (LED-KIT) for 2-post lifts (Item No.: TWLED-2)



Further accessories can be found at www.twinbusch.co.uk