



HGV-lift (22 t, 33 t, 30 t or 45 t)

Item No.: 550-4 (22 t) | 550-6 (33 t) | 575-4 (30 t) | 575-6 (45 t)



Item No.: TW550-4 / TW575-4

The 4-series can be upgraded to a 6-series version at any time. The main column generally has 6 connections.



Item No.: TW550-6 / TW575-6



Also suitable for camper vans

Description

Mobile HGV lift:

- 22 and 30 t – Available in a 4 wheel version
- 33 and 47 t – Available in a 6 wheel version
- Ideal for confined spaces, these lifts can be moved as easily as a pallet truck on all hard even surfaces.
- Robust in design.

Features

- 1A Quality built with CE-Certificate
- Manufactured in accordance to ISO 9001
- Top quality solid construction
- Can be controlled from every column
- Control can be switched from a single, to a combined lift
- Easy to move
- 4 or 6 electrical motors provide powerful lifting capability
- Transporter adapters optionally available

Delivery contents

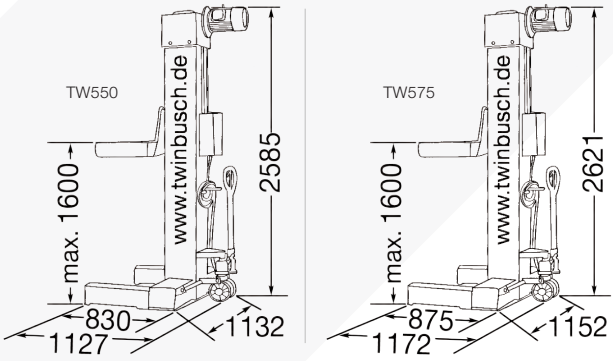
- Complete HGV lift
- English instruction manuals
- Examination book
- CE-Certificate
- Optional: Adapters for the TW HGV lift (enables you to lift small transporters and trucks)
- **Product video online**

Video



Dimensions

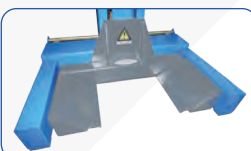
Technical Data



Technical Data	550-4	550-6	575-4	575-6
Lifting capacity	22000 kg	33000 kg	30000 kg	45000 kg
Per post	5500 kg	5500 kg	7500 kg	7500 kg
Lifting height max.	1600 mm	1600 mm	1600 mm	1600 mm
Lifting, lowering time (approx.)	10 mm/s	10 mm/s	10 mm/s	10 mm/s
Power supply	400 V / 3 Ph.	400 V / 3 Ph.	400 V / 3 Ph.	400 V / 3 Ph.
Motor power	4 x 3,0 kW	6 x 3,0 kW	4 x 3,0 kW	6 x 3,0 kW
Fusing	32 A (type C)	32 A (type C)	32 A (type C)	32 A (type C)
Weight (approx.)	2400 kg	3600 kg	3000 kg	4500 kg

Optional accessory

Further information to be found at www.twinbusch.co.uk



Adapter for TW-Truck lift
Item No.: TW550-AD
For the lifting of transporters and light trucks



Axle Stand with 7500 kg capacity
Item No.: TW575-1

Further accessories can be found at www.twinbusch.co.uk