



ACCESSORIES
TWX-ROLL

Side tire roller for all tyre changers

TWX-ROLL

INSTALLATION, OPERATION AND MAINTENANCE MANUAL



*Always read these operating instructions carefully.
Follow the instructions carefully.*

Table of contents

1. General	1
2. Identification of the operating instructions	1
3. Technical	1
4. Modification of the product	1
5. Safety-related information	2
5.1 <i>Safety instructions</i>	2
6. Technical specifications	2
6.1 <i>Assembly instructions</i>	2
7. Commissioning	3
7.1 <i>Safety precautions</i>	3
7.2 <i>Operating instructions</i>	3
8. Troubleshooting	3
9. Appendix	4
9.1 <i>Detailed drawing</i>	4



TIPS & TRICKS



In the "Tips & Tricks" section, we show you simple solutions, in videos to make your TWIN BUSCH® products even more efficient to work. Our technical specialist will explain the exact steps to you.

<https://www.twinbusch.co.uk/Tips-Tricks: :74.html>

24/7 Service Center:



Our **24/7 Self-Service Center** is a mobile website for self-diagnosis of problems with your TWIN BUSCH® lift, tyre changer or balancer. Here we offer you an extensive collection of videos covering a wide range of topics relevant to your TWIN BUSCH® product, from fine adjustment to maintenance and component replacement.

The **24/7 Self-Service Centre** is a versatile tool that helps you learn how to maintain and repair your TWIN BUSCH® lift, tyre changer or balancer yourself.

To open the page on your mobile device, please visit [twinbusch.com/qr](https://www.twinbusch.com/qr) or scan the QR code opposite.

For TWIN BUSCH® lifts delivered from mid-2020, you will also find the QR code on a sticker on the control box.

1. General

TWX-ROLL side tire roller for all TWIN BUSCH® tyre changers.

Special features of the product:

- For all TWIN BUSCH® tyre changers
- Easy to use
- Quick fitting
- Solid construction

2. Identification of the operating instructions

Operating instructions for the TWX-ROLL

of TWIN BUSCH® GmbH,
Ampèrestraße 1,
D-64625 Bensheim

Telephone: +49 6251-70585-0
Fax +49 6251-70585-29
Website: www.twinbusch.de
Email: info@twinbusch.de

TWIN BUSCH® UK Ltd.
9, Linnell Way
Telford Way Industrial Estate
NN16 8PS, Kettering (Northants)

Phone: +44 (0) 1536 522 960
Internet: www.twinbusch.co.uk
Email: info@twinbusch.co.uk

Status: -00, 12.01.2026

File: TWX-ROLL_Side_tire_roller_Manual_uk_00_20260112.pdf

3. Technical data

Length	35 cm without bracket / 41 cm with bracket
Width	23 cm
Height	4 cm
Net weight	5.6 kg

4. Modification of the product

Improper use, as well as modifications, conversions and additions to all of its components that have not been agreed with the manufacturer, are not permitted. The manufacturer accepts no liability for improper installation, operation or overloading. Improper use will also invalidate the CE certification and the validity of the expert opinion.

If you wish to make any changes, please contact your dealer or the expert staff at TWIN BUSCH® GmbH in advance.

5. Safety-related information

Read the operating instructions carefully before using the roller board. Keep the instructions for future reference. Follow the instructions carefully to avoid damage due to improper operation.

TWIN BUSCH® GmbH accepts no liability for damage caused by incorrect installation, improper use, overloading or unsuitable floor conditions.

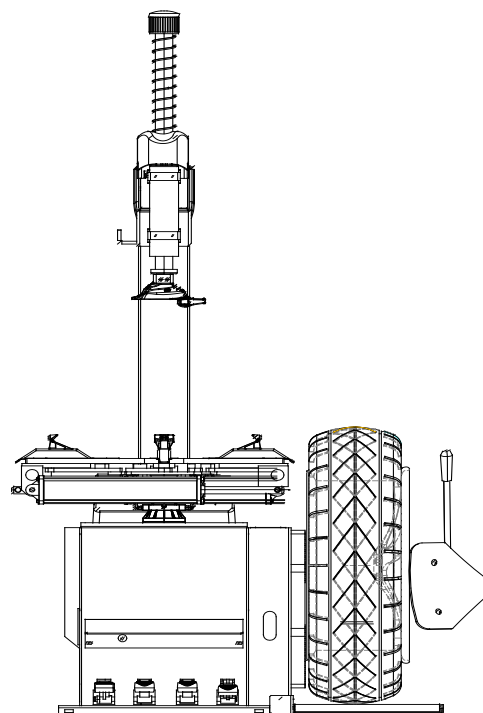
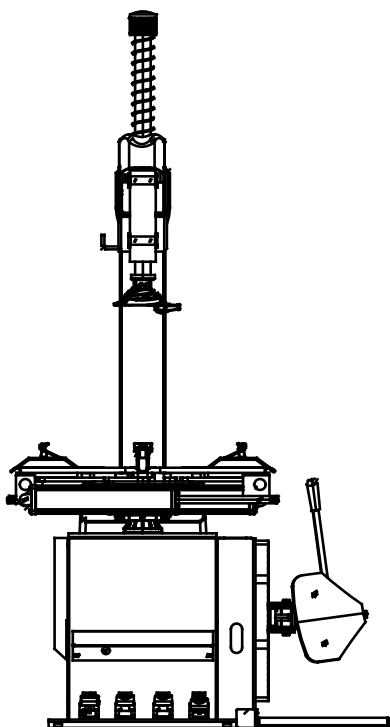
5.1 Safety instructions

- Before commissioning, all safety instructions must be read carefully and fully understood.
- Only trained personnel are permitted to operate the machine.
- Do not wear clothing that could get caught in moving parts.
- The work area must be kept clean and tidy at all times to prevent accidents.
- Machine components must be checked regularly for mobility and function.
- Changes or modifications to machine parts may only be made in accordance with the manufacturer's instructions.

6. Technical specifications

6.1 Assembly instructions

- 1) Remove the packaging carton.
- 2) Mount the roller board on the right-hand side of the tyre mounting machine and attach it to the tyre carrier.



7. Commissioning

7.1 Safety precautions

- a) If the safety devices are defective or show any signs of damage, the tyre mounting machine must not be put into operation under any circumstances!
- b) Check all connections to ensure they are secure and in good working order.

7.2 Operating instructions

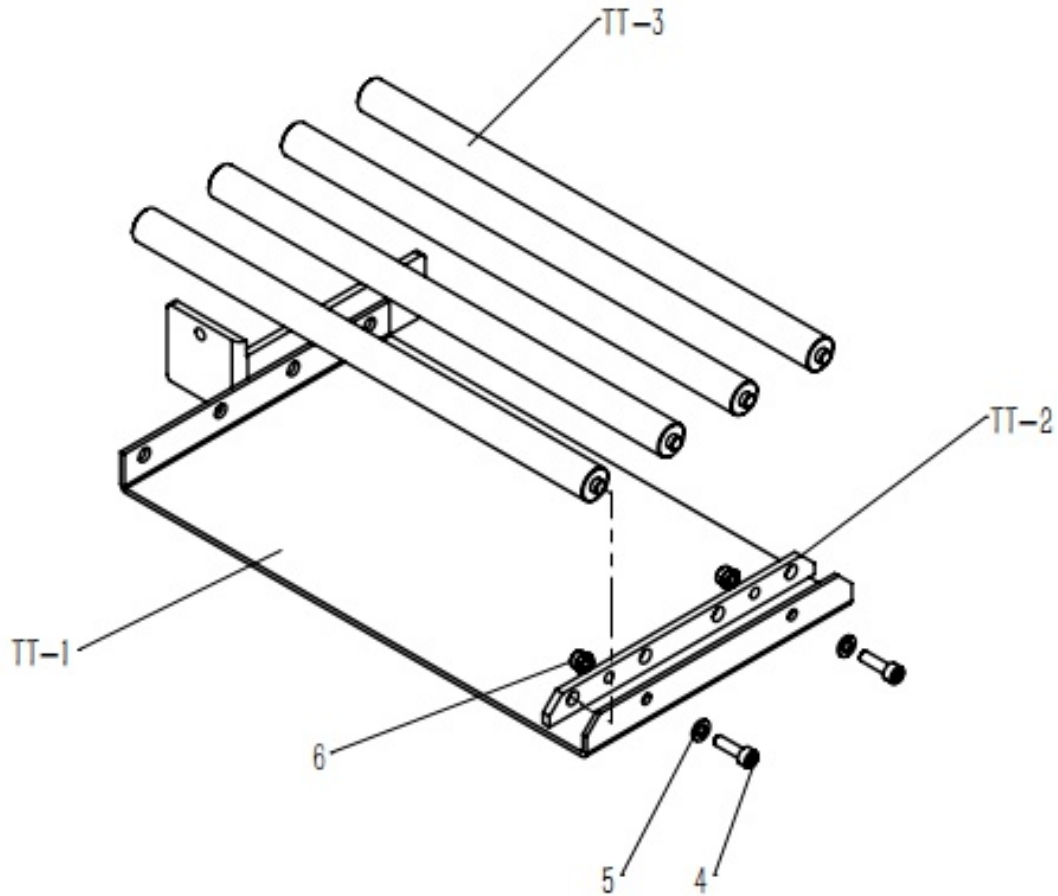
- 1) Place the tyre on the roller board or tyre carrier.
Note: Ensure that it is stable and can be turned easily.
- 2) Detach the first side of the tyre from the rim as usual.
- 3) Now lift the tyre slightly and turn it on the roller board until the second side is easily accessible. The roller board makes it easier for you to turn the tyre without having to lift it heavily.

8. Troubleshooting

Please note: Do not hesitate to contact the expert staff at TWIN BUSCH® GmbH if you are unable to rectify a fault yourself. We will be happy to help you resolve the problem. In this case, please document the fault and send us pictures and a precise description of the fault so that we can identify and rectify the cause as quickly as possible.

9. Appendix

9.1 Detailed drawing



S/N	Name	Specification	PLM code
TT-1	Support assembly	TT*Wrinkle RAL9005	JZ20202400013
TT-2	Plate	TT*Wrinkle RAL9005	JZ20201000059
TT-3	Roll	TT	JZ20202400014
4	Screw	M6*20	FJ22009000097
5	Flat washer	6*14*1.2	FJ15006000095
6	Nut	M6	FJ21003000013



You can find more products at:

twinbusch.co.uk

Twin Busch UK LTD
Kettering
Northants NN16 8PS

Tel.: +44 (0) 1536 522 960
E-Mail: info@twinbusch.co.uk
Web: www.twinbusch.co.uk

The technical specifications and illustrations provided in the user manual are not binding. Our products are subject to technical changes, so the delivered condition may vary.