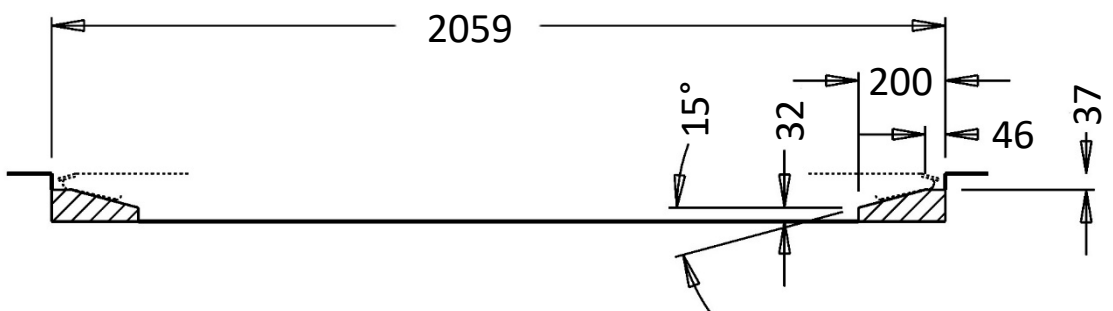
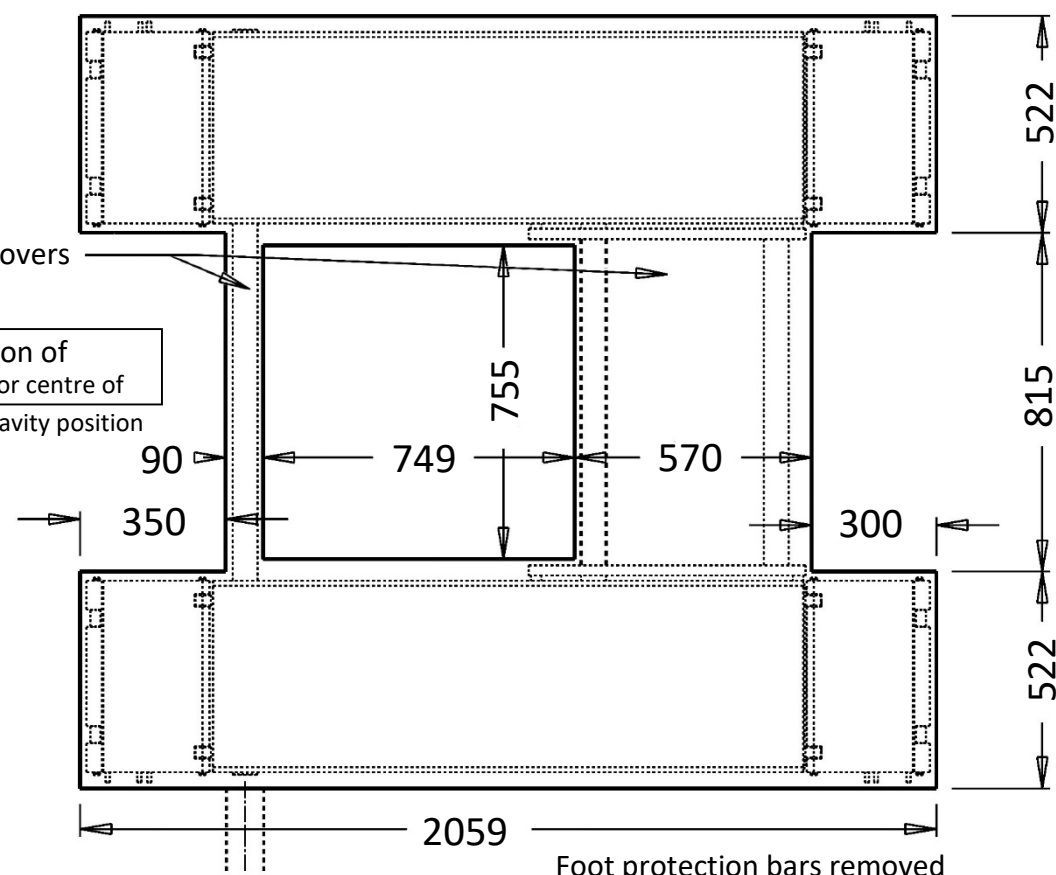
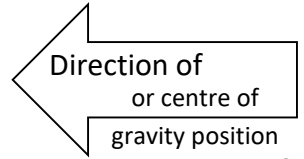


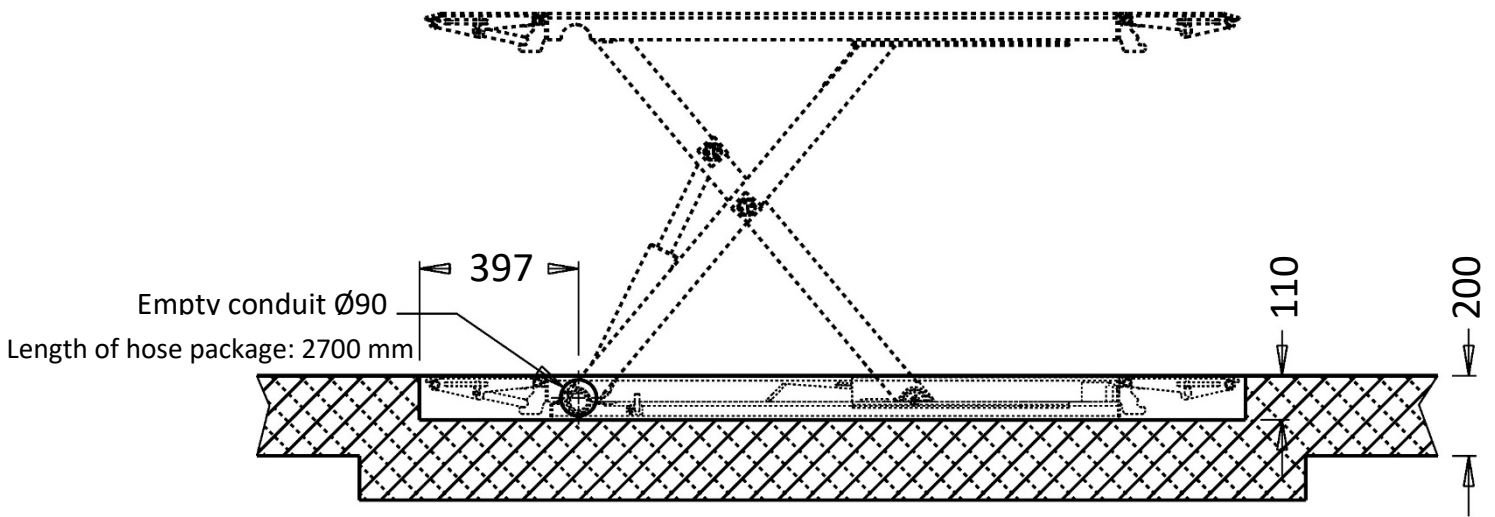
Optional supports for the ramps  
when lowered



Provide suitable covers



Foot protection bars removed  
Handles on ramps cut off.



Misprints, errors and changes excepted. Version: 27.02.2025

Foundation plan  
Scissor lift TWS3-10E / TWS3-10E-G  
/ TWS3-10E-FZ  
Recessed installation

Page 1 of 2

Twin Busch GmbH  
Amperestr. 1  
D-64625 Bensheim  
Tel.: +49 (0)6251-70585-0

### Requirements for the concrete:

- Concrete C20/25 according to DIN 1045-2 (previous designation: DIN 1045 concrete B25).
- The floor must be level and have a flatness of less than 5 mm/m.
- Newly poured concrete must cure for at least 28 days.

### Foundation dimensions:

- Ideally, the entire hall floor should be made of C20/25 concrete with a thickness of at least 150 mm.
- In all lifting positions, there must be a distance of at least 0.8 metres between the lifting platform and the fixed elements (e.g. the wall).

### Other requirements:

- The surrounding soil must be suitable for the load, e.g. no sandy soils, etc.
- Reinforcements in the concrete are not mandatory for proper use of the lift, but are recommended.
- If in doubt, the foundation should be determined and checked by a structural engineer.

### The following must be observed for soil exposed to frost:

In the case of frost exposure, the concrete must correspond to exposure class XF4, as dripping de-icing agent cannot be ruled out.

This results in the following minimum requirements for concrete under frost stress:

Exposure class:	XF4
Maximum w/c:	0,45
Minimum compressive strength:	C30/37 (instead of C20/25)
Minimum cement content:	340 kg/m <sup>3</sup>
Minimum air void content:	4.0 %
Total foundation depth:	≤ 80 cm (due to frost resistance)
Remainder filled with gravel:	0/32

It must be noted, however, that the lifts are not designed for outdoor use (except for galvanised models).

The control box is IP54, but the rest of the electrics, motors and limit switches are IP44 at most.

Foundation plan  
Scissor lift TWS3-10E / TWS3-10E-G  
/ TWS3-10E-FZ  
Recessed installation

**Page 2 of 2**

Twin Busch GmbH  
Amperestr. 1  
D-64625 Bensheim  
Tel.: +49 (0)6251-70585-0