

4 Post Lift

Requirements for the concrete floor:

- Concrete C20/25 according to DIN EN 206-1
- Horizontal, accuracy of flatness smaller than 5 mm (0.2")
- New concrete must dry for 28 days

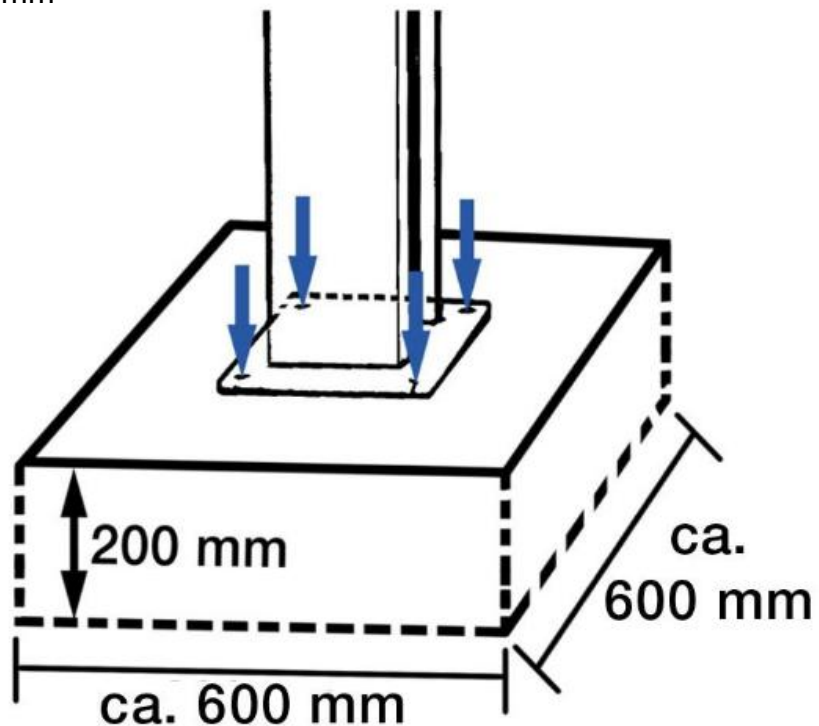
Foundation

- Ideally, it's better to cover the whole area in concrete C20/25, 150 mm thick

Minimum Requirements: 4 Separate Foundations

600 mm x 600 mm x 200 mm

(2ft x 2ft x 8,0in)



Other requirements

- The surrounding area must be suitable for the load, for example, no sand asphalt, etc.
- If in doubt, the foundation should always be checked by a structural engineer.

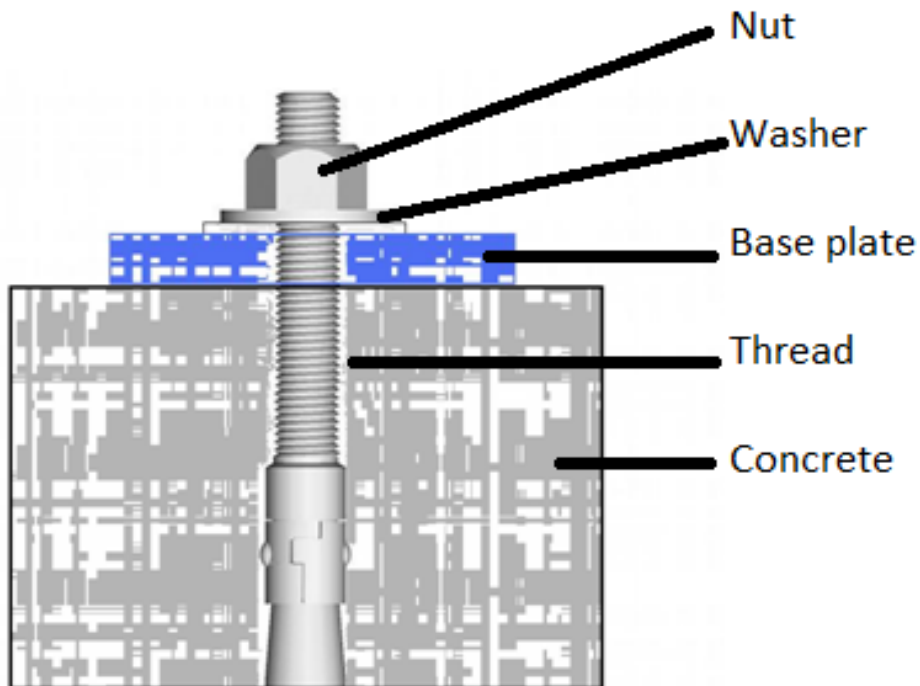
In Case of Frost

In case of freezing the concrete should have exposure class XF4. Thus the following minimum requirements for the concrete in frost conditions.

Exposure class	XF4
Maximum w/z	0.45
Minimum compressive strength	C30 / 37 (instead of C20 / 25)
Minimum cement content	340 kg / m ³
Minimum air content	4.0%

It must however be noted that the lifting platforms are not for use outdoors. The main switch corresponds to IP54, but the remaining electrical parts are designed to a maximum of IP44.

Expansion bolts



Expansion bolts should be tightened to 120 Nm (89 lbft)