

### Requirements for the concrete floor:

- Concrete C20 / 25 according to DIN EN 206-1.
- Horizontal, accuracy of flatness smaller than 5 mm (0.2").
- New concrete must dry for 28 days.

### Other requirements:

- The surrounding ground must be suitable for the load, for example, no sand asphalt, etc.
- If in doubt, the foundation should always be checked by a structural engineer.

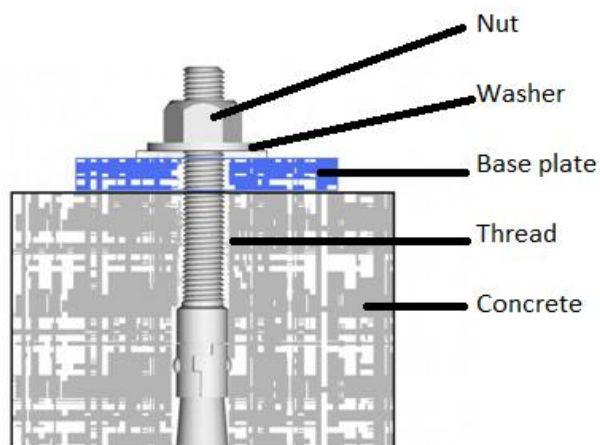
### In Case of Frost:

In case of freezing the concrete should have exposure class XF4. Thus the following minimum requirements for the concrete in frost conditions.

Exposure class	XF4
Maximum w/z	0.45
Minimum compressive strength	C30 / 37 (instead of C20 / 25)
Minimum cement content	340 kg / m <sup>3</sup>
Minimum air content	4.0%

It must however be noted that the lifting platforms are not for use outdoors. The main switch corresponds to IP54, but the remaining electrical parts are designed to a maximum of IP44.

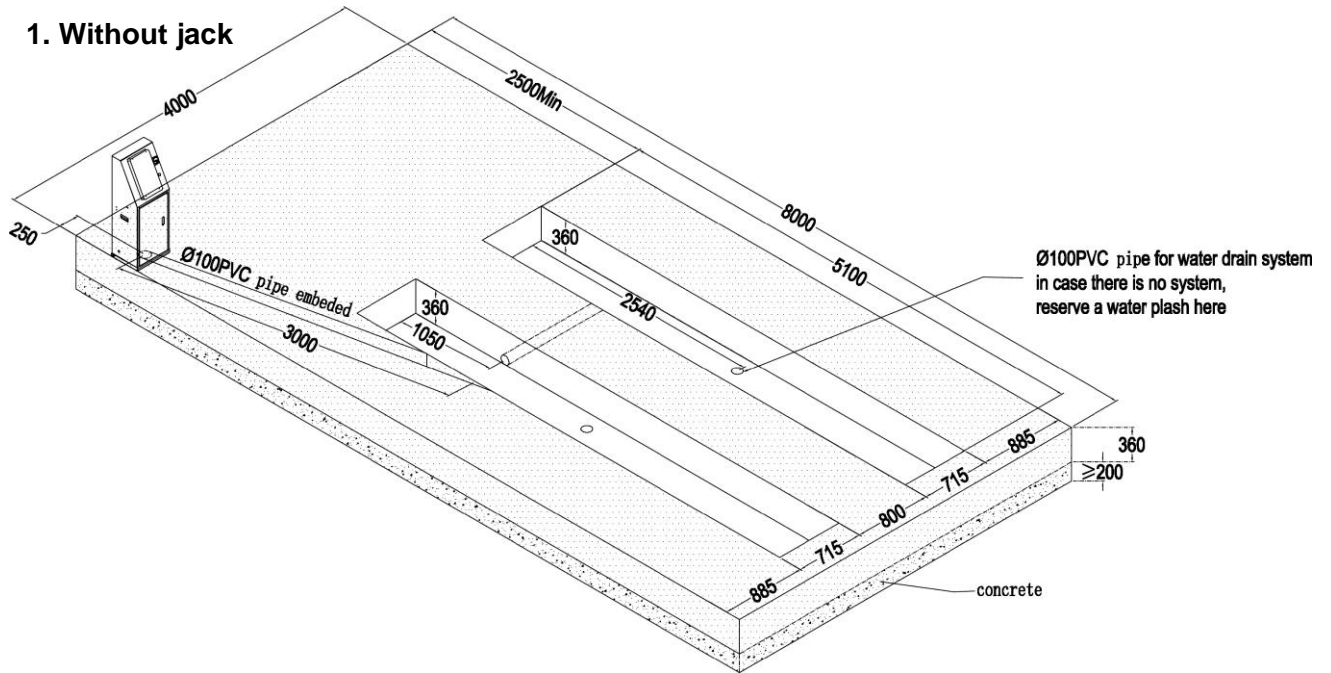
### Expansion bolts



**Expansion bolts should be tightened to 120 Nm (89 lbft)**

### Floor plan

#### 1. Without jack



#### 2. With jack

