

**Requirements for the concrete floor:**

- The concrete should be „C20/25“ according to DIN 1045-2 (previous name: DIN 1045 concrete B25).
- Ground must be level and flatness less than 5mm.
- New poured concrete must be for at least 28days harden.

**Other requirements:**

- The surrounding soil must be suitable for the load, no sandy soil etc.
- Reinforcements are not required for the proper use of the lift, but are recommended.
- In case of doubt, the foundation should be determined and tested by a structural engineer.

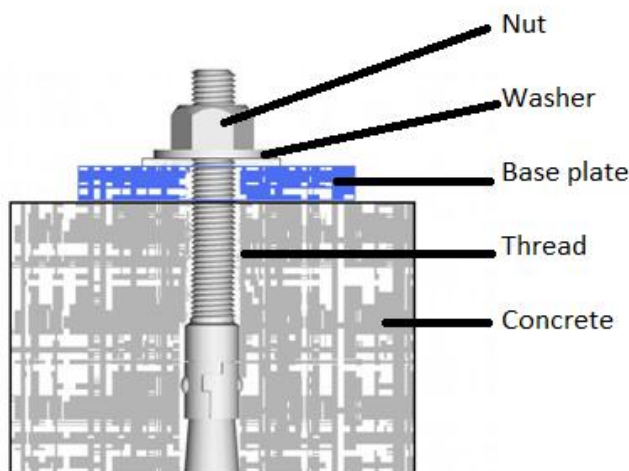
**In Case of Frost:**

In case of freezing the concrete should have exposure class XF4. Thus the following minimum requirements for the concrete in frost conditions.

Exposure class	XF4
Maximum w/z	0.45
Minimum compressive strength	C30 / 37 (instead of C20 / 25)
Minimum cement content	340 kg / m <sup>3</sup>
Minimum air content	4.0%

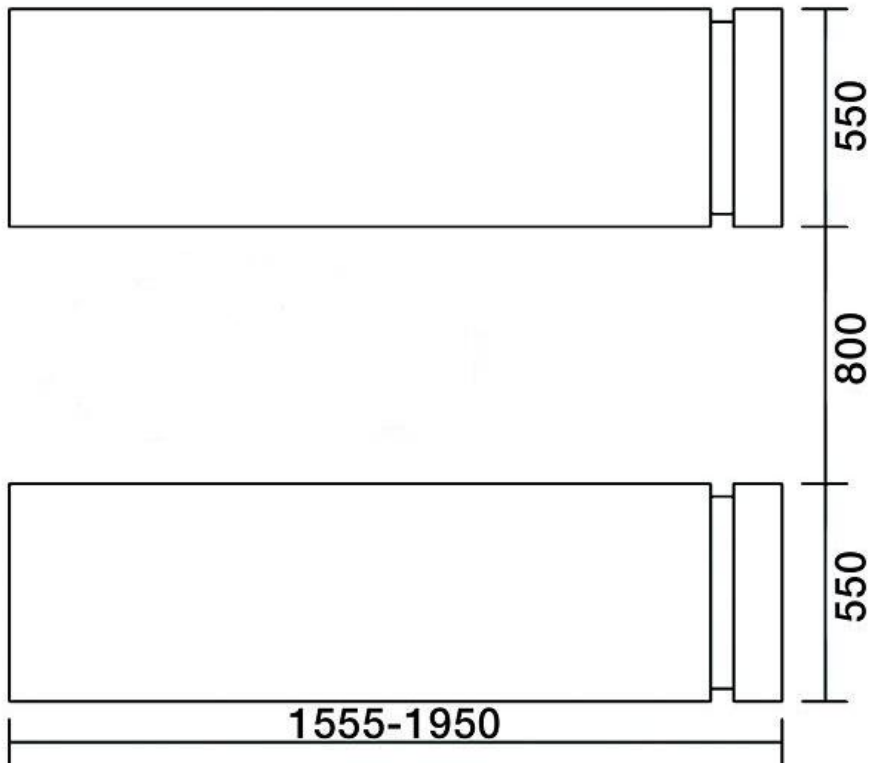
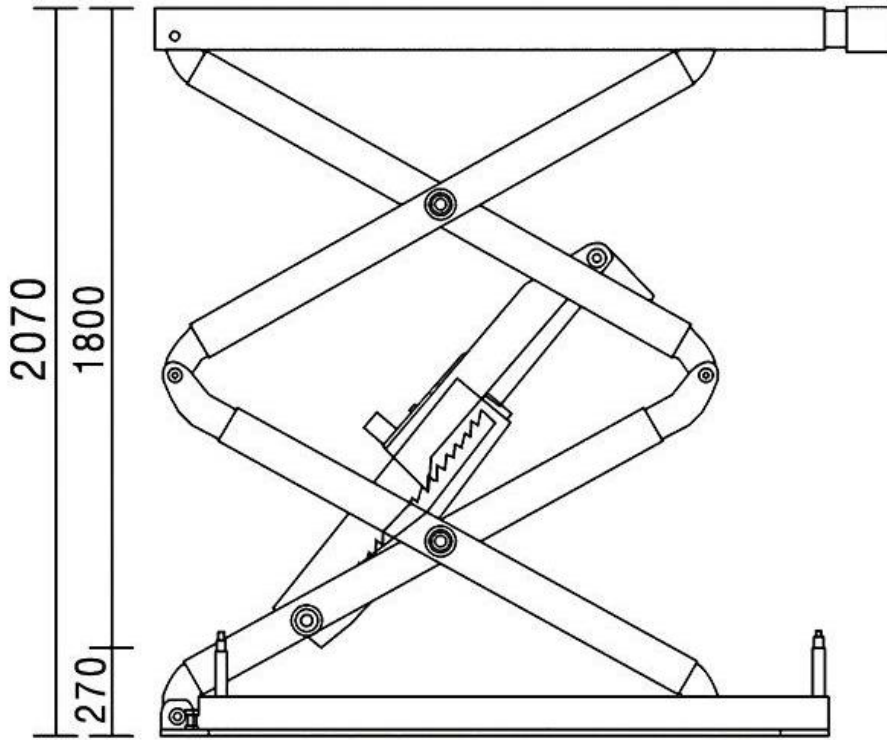
It must however be noted that the lifting platforms are not for use outdoors. The main switch corresponds to IP54, but the remaining electrical parts are designed to a maximum of IP44.

**Expansion bolts**



**Expansion bolts should be tightened to 120 Nm (89 lbft)**

**Dimensions**



S3-18U

